

NOM - OIL MIST FILTER



NOM 4



NOM 11



NOM 18



NOM 28

Nederman provides a new generation of oil mist filters providing high filtration efficiency with low overall cost of operation. This new generation of mechanical oil mist filters, are designed for capture and control of coolant and machining oil mist.

NOM - Nederman Oil Mist Filters, are available in various capacities and configurations for easy application to CNC machines where coolant and oil mist problems arise.

NOM - Nederman Oil Mist Filters have a unique filtration method that incorporates an advanced filter media. High filtration and self-cleaning where the accumulated coolant is drained back to the machine, contributes to improving the work environment while protecting personnel and sensitive equipment. Airborne oil mist can destroy electrical equipment and cause a dangerous oil coating on floors, machines and products. Nederman guarantee >99,97% filtration efficiency with HEPA filter.

Improving your workspace

An investment in NOM is not luxury, but sound economic sense

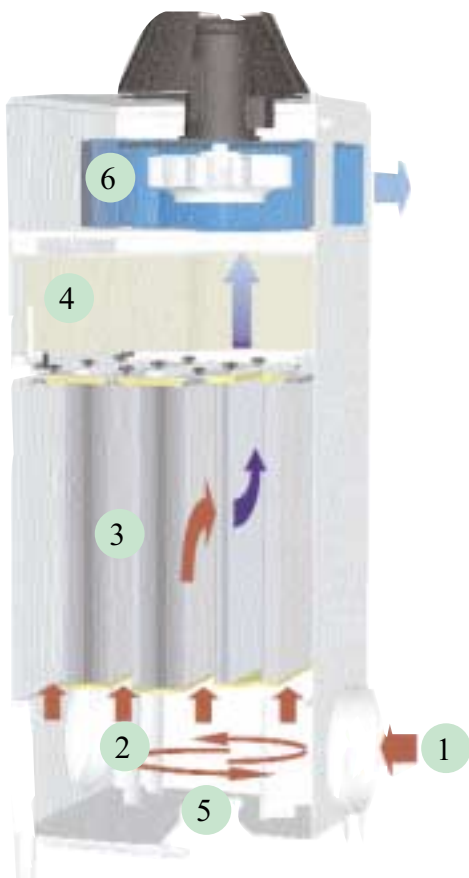
NOM 4



Nederman offers machine mountable compact NOM models or stand alone models to meet your machining operation needs.

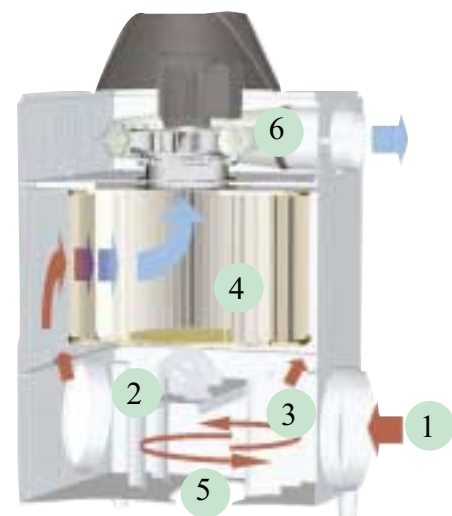
- 1 The contaminated air from the process is drawn into the lower chamber.
- 2 The air rotates when passed through the turbulator plates and separates large oil drops.
- 3 The pre-filter separates most of the large particles and is self-draining. Therefore the pre-filter becomes saturated with oil and runs wet, handling large amounts of emulsion. The pre-filter is washable. Filtration efficiency >90% for oil mist.
- 4 The HEPA filter meets the demands from governmental and regulatory agencies for oil mist filtration. All NOM filters are available with a HEPA filter. The HEPA filter is not washable.
- 5 Return drainage pipe. The oil is drained back to a collecting tank or to the machine.
- 6 Integrated fan.

NOM 18 and NOM 28



Model NOM	4	11	18	28
Air flow, max capacity, cfm	235	650	1100	1650

NOM 11



Technical Specification

Model	Fan	V	Phase	Frequency Hz	HEPA filter	Power hp	Current A	Part No.	Fan Manual Starter
NOM 4	x	115/230	1	60		1/2	3.3 / 1.15	12610168	14502337/14502137
NOM 4	x	115/230	1	60	x	1/2	3.3 / 1.15	12610268	14502337/14502137
NOM 4	x	208	3	60		1/2	1.8	12610968	14502237
NOM 4	x	208	3	60	x	1/2	1.8	12611068	14502237
NOM 4	x	230/460	3	60		1/2	1.75 / .9	12610768	14502237/14502137
NOM 4	x	230/460	3	60	x	1/2	1.75 / .9	12610868	14502237/14502137
NOM 4								12611168	
NOM 4					x			12611268	
NOM 11	x	115/230	1	60		1	11.2 / 5.6	12620368	14502637/14502437
NOM 11	x	115/230	1	60	x	1	11.2 / 5.6	12620468	14502637/14502437
NOM 11	x	208	3	60		1	2.9	12620968	14502337
NOM 11	x	208	3	60	x	1	2.9	12621068	14502337
NOM 11		230/460	3	60		1	2.8 / 1.4	12620768	14502337/14502137
NOM 11		230/460	3	60	x	1	2.8 / 1.4	12620868	14502337/14502137
NOM 11								12621168	
NOM 11					x			12621268	
NOM 18	x	115/230	1	60		1 1/2	16.4 / 8.2	12630368	14502637/14502537
NOM 18	x	115/230	1	60	x	1 1/2	16.4 / 8.2	12630468	14502637/14502537
NOM 18	x	208	3	60		1 1/2	4.2	12630968	14502437
NOM 18	x	208	3	60	x	1 1/2	4.2	12631068	14502437
NOM 18		230/460		60		1 1/2	4.0 / 2.0	12630768	14502437/14502237
NOM 18		230/460		60	x	1 1/2	4.0 / 2.0	12630868	14502437/14502237
NOM 18								12631168	
NOM 18					x			12631268	
NOM 28	x	208	3	60		3	7.9	12640568	14502537
NOM 28	x	208	3	60	x	3	7.9	12640668	14502537
NOM 28		230/460	3	60		3	7.6 / 3.8	12641168	14502537/14502237
NOM 28		230/460	3	60	x	3	7.6 / 3.8	12641268	14502537/14502237
NOM 28								12641168	
NOM 28					x			12641268	

Accessories

Replacement filters

NOM 4 Pre-filter, 32ft.² **Part No.** 12373653

HEPA, 59ft.² **Part No.** 12373645

NOM 11 Pre-filter, 91ft.² **Part No.** 12373654

HEPA, 172ft.² **Part No.** 12373646

NOM 18 Pre-filter, 150ft.² **Part No.** 12373655

HEPA, 258ft.² **Part No.** 12373647

NOM 28 Pre-filter, 226ft.² **Part No.** 12373680

HEPA, 430ft.² **Part No.** 12373648



Fan Manual Starter

A combined starter/motor protector and maintenance switch for the NOM fan. IP 65

Part No. See above



1.

Silencers

Nederman's silencer can be used on NOM 11 and on NOM 18 to lower the sound level.

Part No. 12373649 for NOM 11

Part No. 12373650 for NOM 18



2.



Machine Stand

Including damper.

Part No. 12373705



Wall Bracket

For mounting on wall for NOM 4.

Part No. 10504035

Environmental Data

Model NOM	4	11	18	28
Sound level, dB(A), with silencer	<70	<70	<70	-
Weight in lbs.	64	284	474	529
Protection class	IP 55	IP 55	IP 55	IP 55
Material recovery, % of weight	69 %	86 %	90 %	88 %

Water and Oil Trap

Available in different designs.

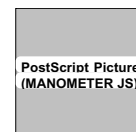
(1.) Part No.12373651 Container for NOM 11, 18, 28

(2.) Part No.12373657 Drip collector for NOM 4

(3.) Part No.12373652 Hose with oil trap



3.



PostScript Picture
(MANOMETER JS)

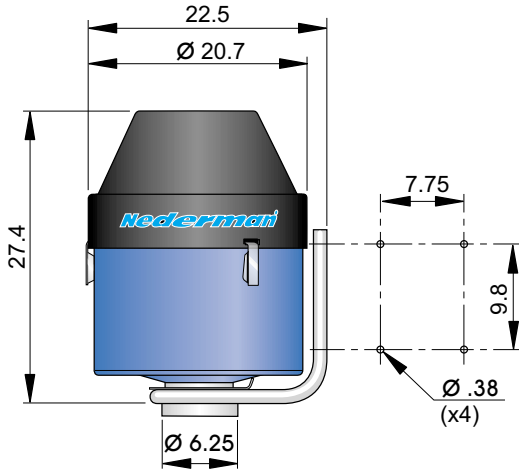
Pressure Gauge Kit

Measures the pressure drop over the filter cartridges, for NOM 4

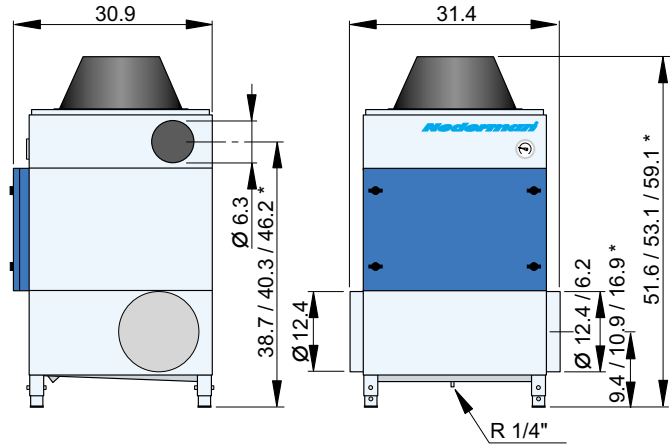
Part No. 12373656

Dimensions

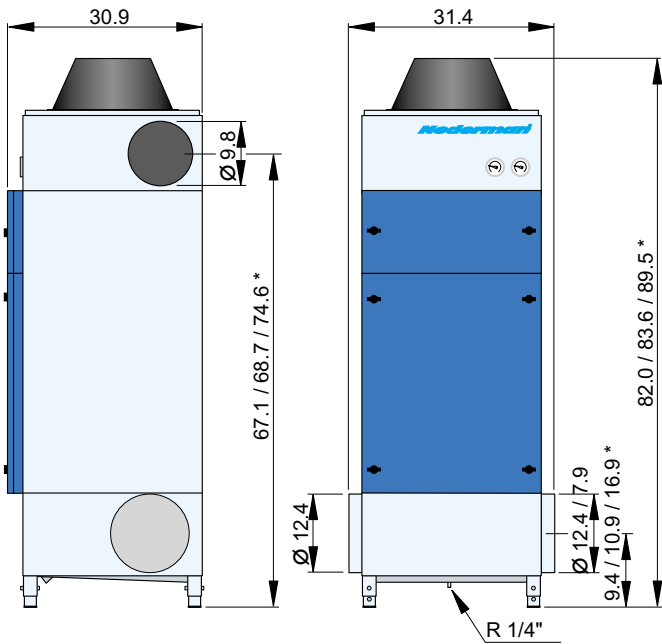
NOM 4



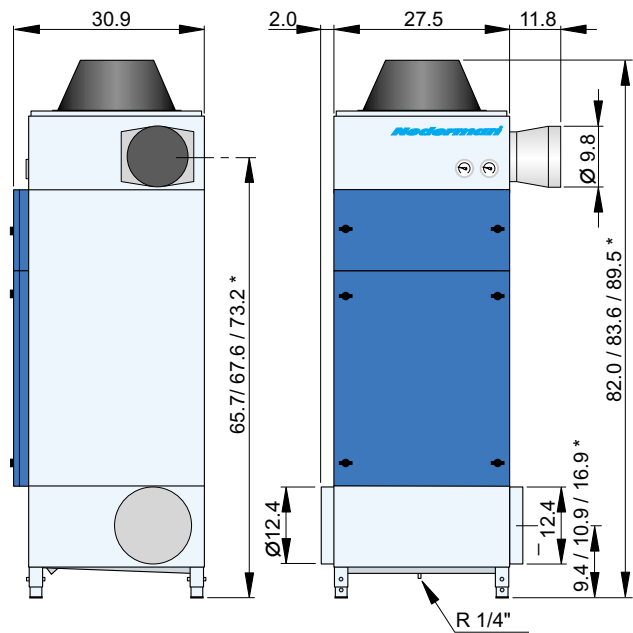
NOM 11



NOM 18



NOM 28



* Measure depending on extension legs position.

Nederman[®]
Improving your workspace

Nederman, Inc.
39115 Warren
Westland, MI 48185
Telephone: (800) 575-0609 Fax: (866) 571-2884
www.nedermanusa.com