

SINGLE EXHAUST EXTRACTOR



THE SIMPLEST SOLUTION FOR EFFECTIVE EXHAUST EXTRACTION

Nederman Single Exhaust Extractor is a flexible, easy-to-install and reliable exhaust extractor for individual, stationary workplaces.

The extractor gives small workshops the possibility to provide themselves with one extractor or more at a reasonable cost.

It gives large workshops increased flexibility when supplementing or extending existing premises.

The Nederman Single Exhaust Extractor suits all types of vehicles. It can be ordered as an assembly kit, complete with a suitable fan.

Improving your workspace

Easy to choose Single Exhaust Extractor

Nederman Single Exhaust Extractor is an uncomplicated and functional product with very few parts, optimally adapted to each other.

The product guide below makes it easy to choose. Decide which criteria are important for your workshop and then choose the model from the table on the right. All exhaust extractors are supplied with a stable wall bracket which takes the weight off the ducting system. In those cases where a fan is provided, it comes with motor protector and control box for start/stop.

Would you choose a model from the two last rows in the table below, a safety disconnecter is included. This is released to minimise the risk for accidents if the nozzle is not disconnected from the vehicle when leaving the workplace. This should not be confused with the normal disconnection type, manual or automatic.

Type of vehicle	Motor speed	Level of use	Comfort	Disconnection type
Car	Idling speed	Low	Manual suspension with cord	Manual
Car/Light truck	Idling speed Normal speed	Low (thermoplastic hose) High (rubber hose)	Balancer lifts the hose automatically after use	Manual
Car/Heavy truck	High speed	High	Balancer lifts the hose automatically after use	Manual
Car/Light truck	Normal speed	High	Balancer lifts the hose automatically after use	Automatic



200 mm dia. hose

The Single Exhaust Extractor also comes with a 200 mm dia. hose for heavy trucks.

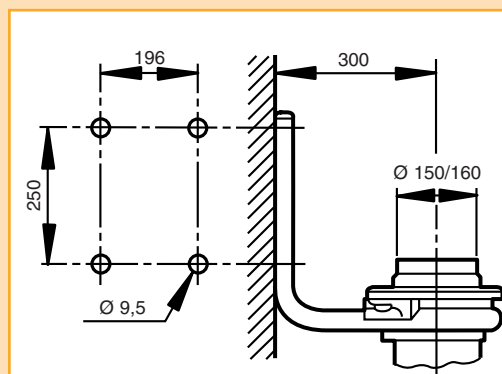
The swivelling nozzle makes handling the hose a lot easier.



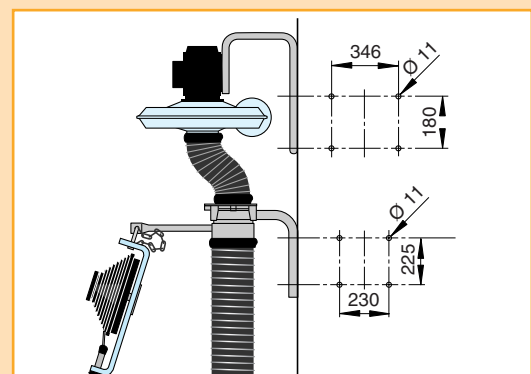
Twin Exhaust Extractor

In automotive workshops, two work-places can be served from the same exhaust extractor when using a Twin Exhaust Extractor.

Measurements for wall bracket and duct connection



For all products up to 150 mm dia. hose.



For products with 200 mm dia. hose.

Single Exhaust Extractor with cord suspension and manual disconnection

Part no.	Hose type	Hose dia.	Hose length, m	Fan included	Nozzle incl.	Line no. in pressure drop diagram
20802963	NTP-B	75	5	No	No	1
20803063	NTP-B	100	5	No	No	3
20801363 ¹⁾	NTP-B	75	2x5	No	No	3
20801463 ¹⁾	NTP-B	100	2x5	No	No	8
20800563	NTP-B	75	5	N16 0.55 kW ²⁾	Steel (20860861)	1
20800663	NTP-B	100	5	N16 0.55 kW ²⁾	Steel (20861862)	3
20800763	NTP-B	150	5	N24 0.90 kW ²⁾	Steel (20805361)	9

Single Exhaust Extractor with balancer and manual disconnection

Part no.	Hose type	Hose dia.	Hose length, m	Fan included	Nozzle incl.	Line no. in pressure drop diagram
20802263	NR-CP	100	7.5	No	No	5
20803663	NTP-CP	100	7.5	No	No	2
20802363	NR-CP	125	7.5	No	No	8
20803763	NTP-CP	125	7.5	No	No	4
20802463	NR-CP	150	7.5	No	No	10
20803863	NTP-CP	150	7.5	No	No	7

Single Exhaust Extractor with balancer, high-temperature hose and manual disconnection

Part no.	Hose type	Hose dia.	Hose length, m	Fan included	Nozzle incl.	Line no. in pressure drop diagram
20806163	NFC	150	6	No	Swivelling (20806961)	9
20806263	NFC	200	6	No	Swivelling (20807061)	12
20800863	NFC	150	6	N29 1.5 kW ²⁾	Swivelling (20806961)	9
20802763	NFC	200	6	N29 2.2 kW ²⁾	Swivelling (20807061)	12

Single Exhaust Extractor with balancer and automatic disconnection

Part no.	Hose type	Hose dia.	Hose length, m	Fan included	Nozzle incl.	Line no. in pressure drop diagram
20802563	NR-CP	100	6	No	Rubber (20322139)	6
20802663	NR-CP	150	6	No	Rubber (20322140)	11
20801063	NR-CP	100	6	N16 0.55 kW ²⁾	Rubber (20322139)	6
20801563	NR-CP	150	6	N24 0.90 kW ²⁾	Rubber (20322140)	11

¹⁾ Twin Exhaust Extractor

²⁾ 200-240/380-420 V, 3~, 50 Hz



Pressure drop diagram

Shows the pressure drop for each extractor with hose in expanded position. Explanation for each line is in above table.

Recommended air flow:

Car

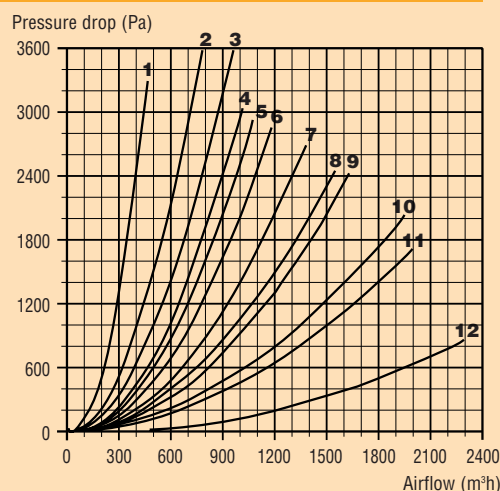
75-100 mm dia. hose: 400 m³/h

Light truck

125-150 mm dia. hose: 1000 m³/h

Heavy truck

200 mm dia. hose: 2000 m³/h



Description of hose types

NTP-B: Light thermoplastic hose that can stand up to 150°C at continuous use. Flame-resistant. Suitable for idling speed.

NTP-CP: Light thermoplastic hose that can stand up to 150°C at continuous use. Flame-resistant and can be driven over. Suitable for idling speed.

NR-CP: Rubber hose for rough use that can stand up to 150°C at continuous use. Can be driven over. Suitable for normal motor speed.

NFC: Textile hose that can stand up to 300°C at continuous use. Flame and chemical-resistant. Suitable for high speed.

ACCESSORIES

Fans

Nederman has a wide assortment of fans. Below is a selection, see separate brochure for more detailed information.

Type	Part no.	kW	Phase	Hz	V	Outlet dia. mm
N16	14510521	0.55	3	50	200-240/ 380-420	160
N24	14510422	0.90	3	50	200-240/ 380-420	160
N29*	14520129	1.5	3	50	200-240/ 380-420	160
N29*	14510129	2.2	3	50	200-240/ 380-420	160

* Supplied with fan bracket.

Fan bracket

Used for mounting the fan separately from the extractor, i.e. outdoors or in another part of the premises. Only suitable for N16 and N24.

Part no. 14510126

Automatic damper

The damper is recommended to be used when a Single Exhaust Extractor with balancer is connected to a central fan system. Limit switch needed for installation (see above right).

Connecting dia. = 160 mm

Part no. 14500291

Limit switch

Stops the fan and shuts the damper when the exhaust hose is in upper position. This prevents warm air from being extracted from the building and therewith contributes to reducing heating costs.

The switch is only suitable for a Single Exhaust Extractor with a balancer.

Part no. 30331612

Nozzle

The Nederman nozzles are manufactured in rubber or steel.

A wide selection of nozzles with different features and dimensions are available.

(See separate brochure for more detailed information)

Part no.	Connection to exhaust pipe max. dia. mm	Connection to hose max. dia. mm	Material
20860861	65	75	Steel
20861862	90	100	Steel
20805161	140	100	Steel
20805261	140	125	Steel
20805361	140	150	Steel
20804061	75	75	Rubber
20805461	2x75	75	Rubber
20804161	75	100	Rubber
20805561	2x75	100	Rubber
20805661	2x100	125	Rubber
20804261	75	125	Rubber
20806961	180	150	Rubber, swivelling
20805761	2x100	150	Rubber
20807061	180	200	Rubber, swivelling

CE This product is designed to meet the requirements of the relevant EC-directives and is labelled accordingly.

• Sound level: The product, excluding fan, does not generate any sound.

• Energy consumption: The product, excluding the fan, does not consume any energy.

• Recycling level: For further information please contact your dealer.

Nederman[®]
Improving your workspace

Rights reserved for modification of design and measurements.

Manufacturer:
AB Ph. Nederman & Co
Sydhamnsgatan 2
SE-252 28 Helsingborg, Sweden
www.nederman.com

Tel.: Int. +46 42 18 87 00
Fax: Int. +46 42 14 79 71
E-mail: support@nederman.se
Certificated to ISO 9001 and ISO 14001

The majority of Nederman's products are manufactured within ISO 9001 and ISO 14001-certified Quality- and Environmental system. For more detailed information please contact us.